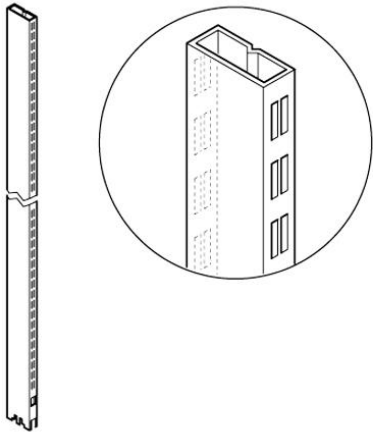
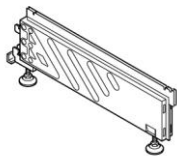

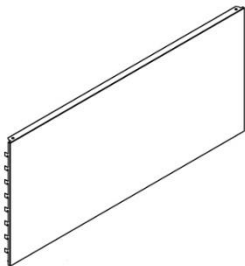

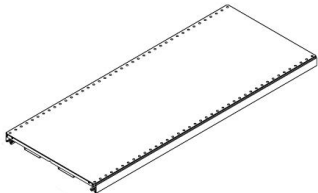
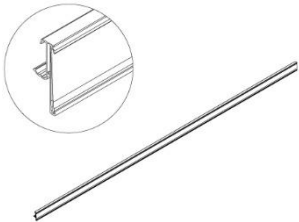

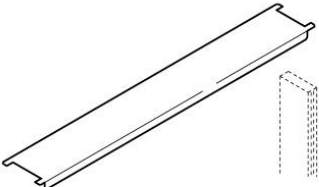
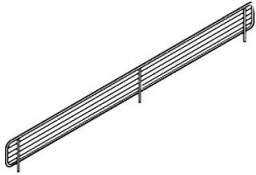
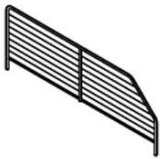
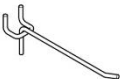
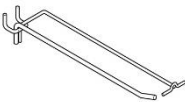



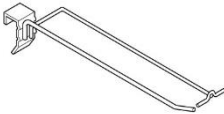


## LISTINO SCAFFALATURA A RIPIANI "MARKET"

IMMAGINE	DESCRIZIONE	DIMENSIONE	CODICE	PREZZO €
	<b>COLONNA</b>	134x10	MVMT2092	17,40
		164x10	MVMT2098	20,85
		194x10	MVMT2104	24,12
		204x10	MVMT2106	25,18
		224x10	MVMT2110	27,38
		254x10	MVMT2116	31,70
		294x10	MVMT2124	36,08
	<b>BASE</b>	40	MVBS0046	13,90
		50	MVBS0050	14,53
		60	MVBS0054	15,30
	<b>BLOBBHETTO DI FISSAGGIO</b>	10	MZBS0118	4,64
	<b>VITE REGOLABILE</b>	12	MZBS0096	0,25
	<b>RONDELLA</b>	0,5x3,2	MZBS0088	0,50
	<b>PIEDINO</b>		MZBS0084	0,38
	<b>TAPPO</b>	10	MMMT0644	0,56
	<b>SCHIENALI LISCIO</b>	100x30h	MPRV0652	3,32
		100x40h	MPRV0694	4,83
		133x30h	MPRV0656	4,32
		133x40h	MPRV0698	6,40
	<b>SCHIENALI LISCIO SCANTONATO</b>	100x27	MPRV3418	6,20
		133x27h	MPRV3422	7,70

	<b>SCHIENALI FORATI</b>	100x30h	MPRV2790	10,20
		100x40h	MPRV2804	11,90
		133x30h	MPRV2794	13,02
		133x40h	MPRV2808	15,41
	<b>MENSOLA</b>	40	MVMN0068	2,06
		50	MVMN0070	2,50
		60	MVMN0072	2,88
	<b>PIANO</b>	100x40	MVRU0306	11,84
		100x50	MVRU0314	13,90
		100x60	MVRU0324	16,35
		133x40	MVRU0346	15,53
		133x50	MVRU0354	17,23
		133x60	MVRU0364	21,00
	<b>PORTAPREZZO</b>	100	ITDS11440W0	2,25
		133	ITDS11440W1	2.95
	<b>ZOCCOLO</b>	100	MPZO0130	2,76
		133	MPZO0132	3,51
	<b>COPRI SCHIENALE</b>	100	MVRV1302	6,45
		133	MVRV1318	7,40

	Frontalino in filo	66,5 x h. 3,5	3J03021112	4,19
		100 x h. 3,5	3J03021312	4,75
		133 x h. 3,5	3J03021612	5,48
		66,5 x h. 8	3J03031112	5,34
		100 x h. 8	3J03031312	5,48
		133 x h. 8	3J03031612	5,98
	Divisorio in filo Sagomato	30 x h. 14/8	3J03211E12	3,37
		30 x h. 20/8	3J03231E12	4,21
		40 x h.14/8	3J03211G12	3,51
		40 x h.20/8	3J03231G12	4,39
		50 x h.14/8	3J03211J12	3,65
		50 x h.20/8	3J03231J12	4,68
		60 x h.14/8	3J03211L12	3,83
		60 x h.20/8	3J03231L12	4,90
	Gancio semplice diam. 0,6	10	PF-GN.10	0,40
		20	PF-GN.20	0,50
		30	PF-GN.30	0,60
	Gancio con porta prezzo	20x0,6	PF-GNPPCN.20	0,99
		30x0,8	2K69090E12	2,63
		40x0,8	2K69090G12	3,41
	Tasca porta prezzo	7 x h. 5	2K60501100	0,40
	Barra porta ganci zincata p.3 x h. 1,50	l. 66,5	2K17010112	11,82
		l. 100	2K17010312	13,42
		l. 133	2K17010612	15,57
	Gancio semplice attacco barra zincato	Ø 5 - l. 20	2K60050C12	2,03
		Ø 8 - l. 30	2K60010E12	2,32
		Ø 8 - l. 40	2K60010G12	2,37
		Ø 8 - l. 50	2K60010J12	2,85
	Gancio con porta prezzo attacco barra zincato	Ø 5 - l. 30	2K60030E12	2,41
		Ø 8 - l. 40	2K60030G12	2,74
		Ø 8 - l. 50	2K60030J12	2,84